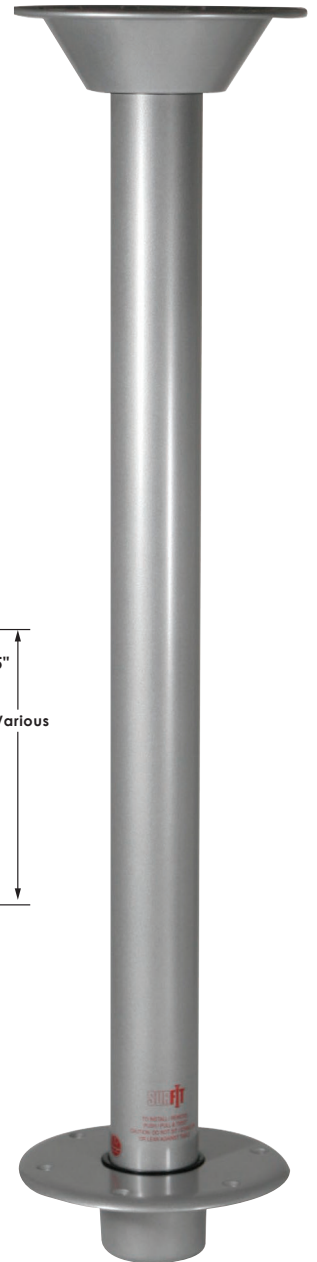
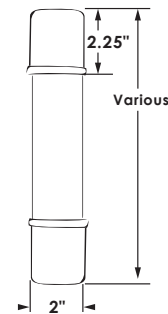
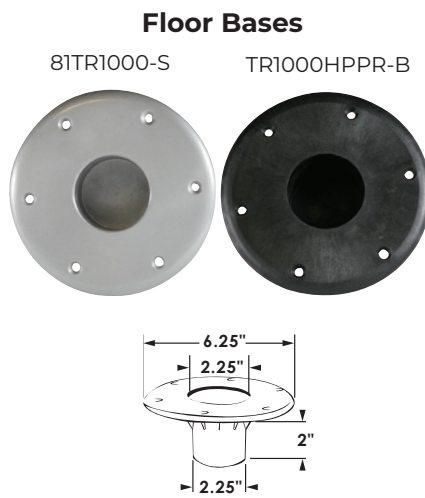
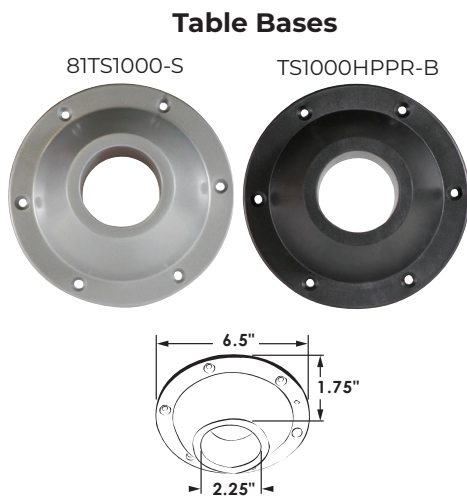


SurFit™ Table Leg and Base System

Features

- Non-locking system
- Steel table posts are 2" in diameter and powder coated in black or silver.
- Tapered end caps fit into the bases securely
- Table leg lengths are 25", 27", 29", and 31"
- Floor bases are available in aluminum alloy, powder coated in black, silver, or corrosion resistant polymer in black.
- Table bases are available in aluminum alloy, powder coated in black, silver, or corrosion resistant polymer in black.
- Floor bases have a recessed well and are virtually flush with the floor for free access when table is not in use
- Patented system



ITEM NUMBER	DESCRIPTION	FINISH	MATERIAL	SIZE
81TS1000-X	Table Base	Choose Finish*	Aluminum Alloy	6.25" Diam.
TS1000HPPR-B		Black	High Performance Polymer	
81TR1000-X	Floor Base	Choose Finish*	Aluminum Alloy	6.5" Diam.
TR1000HPPR-B		Polished	High Performance Polymer	
81TL25-X	Table Leg	Choose Finish*	Steel	25" Long
81TL27-X				27" Long
81TL29-X				29" Long
81TL31-X				31" Long
*The X in all part numbers should be replaced with indication of color - B for Black or S for Silver				

