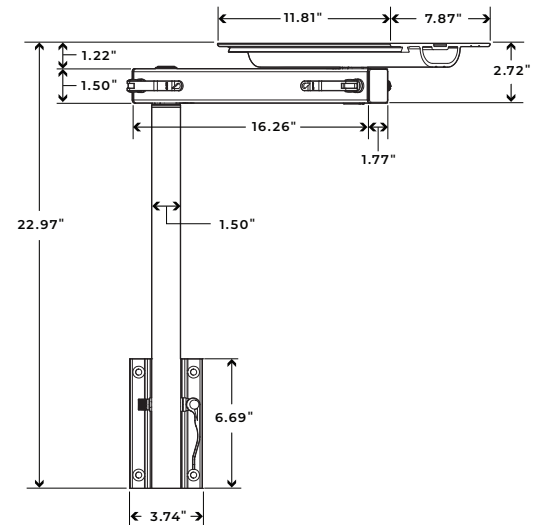
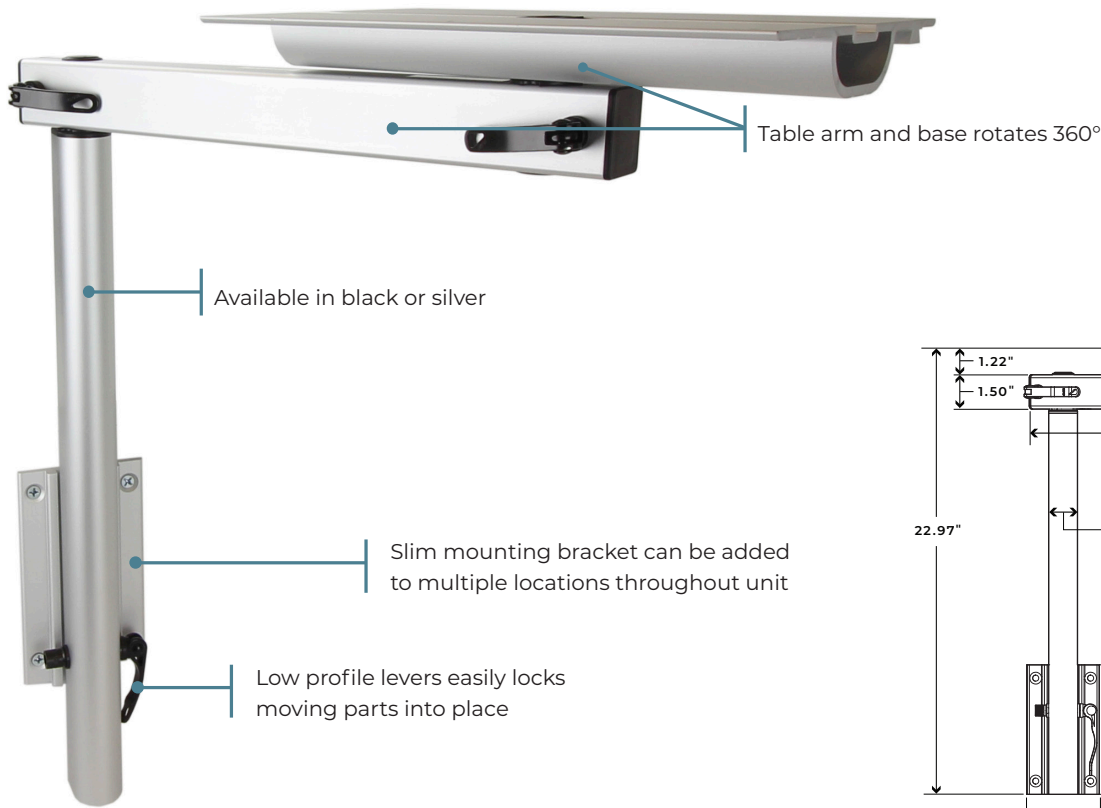


MOD Table Leg System

Part Number

BAL-CL-1A-1622	Silver Mod Table Leg System
BAL-BK-1A-1622*	Black Mod Table Leg System
810-00574-CL	Silver Wall Base Assembly Kit
810-00574-BK*	Black Wall Base Assembly Kit

*Black is a non-stock option, available by special order



Features

- The MOD Leg system is perfect for situations that require the table to be mounted in multiple locations without the addition of multiple tables and legs to store.
- The arm, leg, and table base all come apart for more convenient storage.
- Robust, plastic shim provided to get proper spacing for rotation off of the wall.
- The mounting plate on the wall eliminates the bulky floor bases from traditional legs.
- The leg is height adjustable with a 360° swivel to go from eating to working.
- Easy, quick removal makes the system perfect to stow away when the table is not being used.
- Horizontal arm is 16.3" and vertical arm is 21.8".

